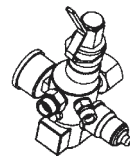




Solenoid Actuator Valve



Stock code D21070

TA 05 Oct 2004

Manual release

Pressure gauge

Gas inlet
SFS 2292 24,32 x 1,814

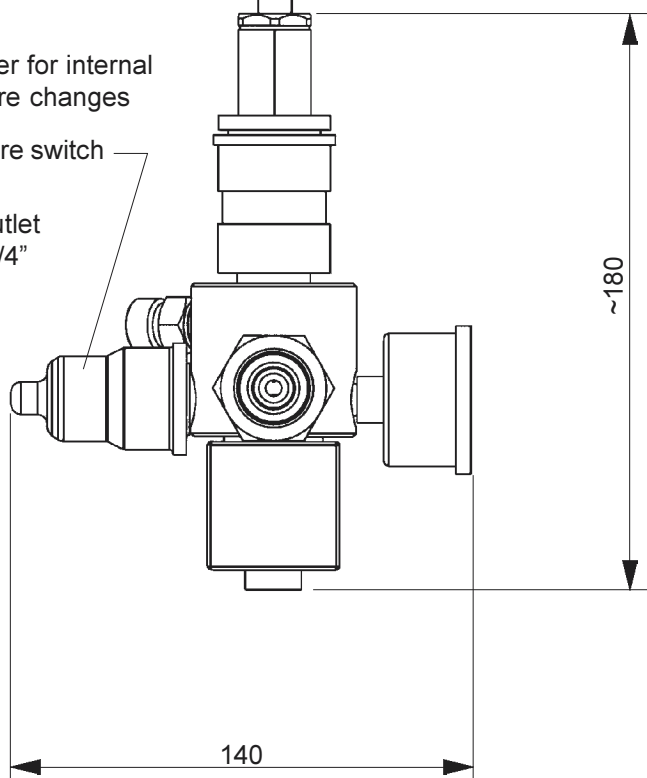
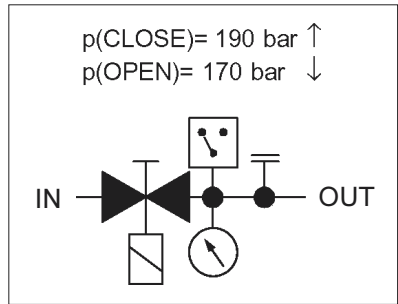
Solenoid valve 24 VDC
type 71216J21BL00-NO-D300C2

Burst disk located under plug.
Marioff stock code D52005

Breather for internal
pressure changes

Pressure switch

Gas outlet
12-S 1/4"



General	Body material	Brass, nickel plated
	Electric voltage	Solenoid valve 24 V DC
	Max. working pressure	200 bar
Operation	<p>The valve is normally connected directly or via an adapter to an air or nitrogen cylinder. It is used to release the contents of the cylinder into a GPU, a water accumulator unit (MAU, DAU, KAU, ...) or an MT3 system or equivalent. Solenoid actuator valve is released either electrically or manually to allow the gas flow to the piping system.</p> <p>To monitor the gas cylinder pressure, the valve is equipped with a pressure gauge and a pressure switch.</p> <p>Once released, the valve remains open as long as the valve is pressurised.</p>	